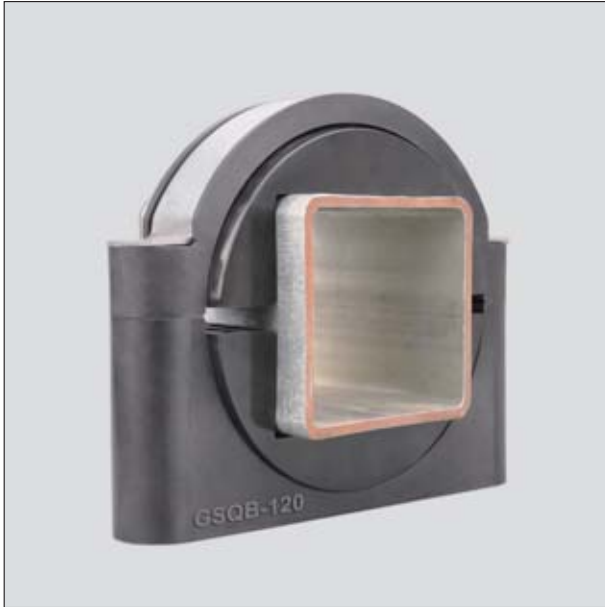


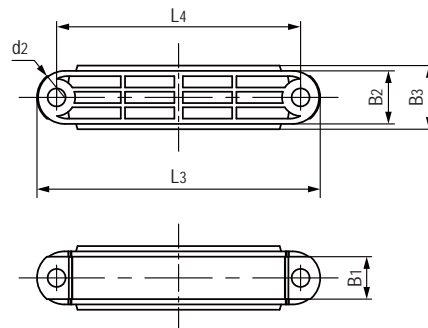
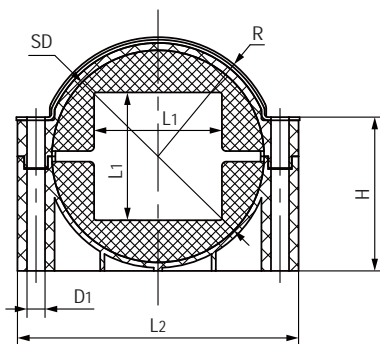
## GSQB光伏跟踪支架关节轴承 PV Support bracket bearings



### 产品特性 Product features

- 一体式设计塑料关节轴承座
  - 户外耐紫外线老化
  - 耐高低温湿热老化
  - 低摩擦，耐磨损
  - 适用于平地或斜坡支架
  - 自润滑、免维护
  - 高强度、易安装
- Integrated design plastic spherical bearings
  - UV resistance
  - High and low temperature, damp-heat aging
  - Low friction, wear resistance
  - Suitable for flat or slope brackets
  - Self lubricating, maintenance-free
  - High strength, easy installation

### 标准规格 Standard specifications



产品编码 Part No.:  
GSQB-100

内宽 Inner width

产品编码 Part No.	L1 [mm]	L2 [mm]	L3 [mm]	L4 [mm]	d1 [mm]	d2 [mm]	H [mm]	SD [mm]	R [mm]	B1 [mm]	B2 [mm]	B3 [mm]
GSQB-100	101	265	267	230	17	26	145	200	112.4	40	50	60
GSQB-110	111	265	267	230	17	26	145	200	112.4	40	50	60
GSQB-120	121	265	267	230	17	26	145	200	112.4	40	50	60
GSQB-140	141	312	312	273	17	26	179	245	134.9	40	50	60
GSQB-150	151	312	312	273	17	26	179	245	134.9	40	50	60

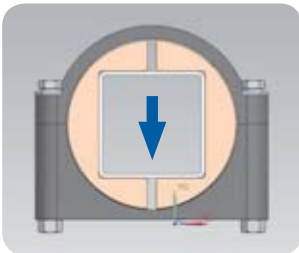
# Solar Tracking Bracket Bearings

## 太阳能跟踪支架轴承

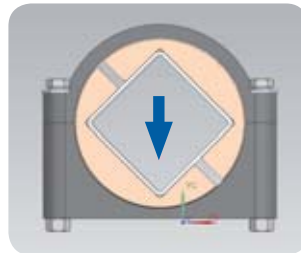
### GSQB-120轴承承载性能试验 Bearing load capacity test

测试项目与方向 Test items and directions		测试数据 Test data
GSQB-120 抗压试验 Compression test	测试方向Test direction A+	130 kN
	测试方向Test direction B+	60 kN
	测试方向Test direction C+	120 kN
GSQB-120 抗拉试验 Tensile test	测试方向Test direction A-	40 kN
	测试方向Test direction B-	50 kN
	测试方向Test direction C-	50 kN

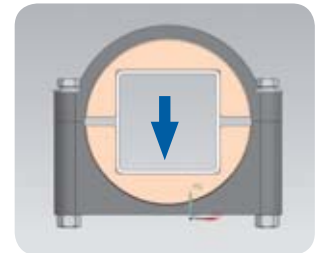
### 抗压试验-加载角度为9度 Compression test with an angle of 9 degree



测试方向Test Direction  
A+

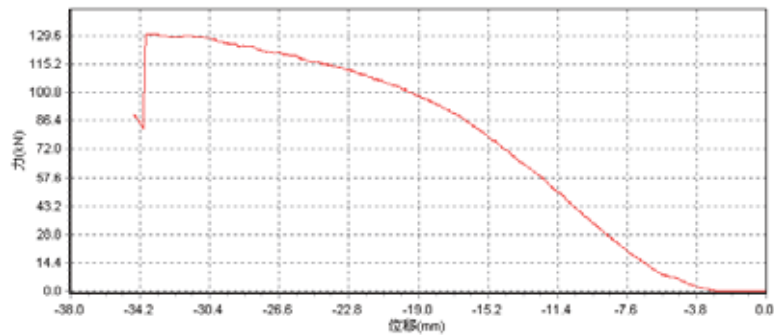


测试方向Test Direction  
B+

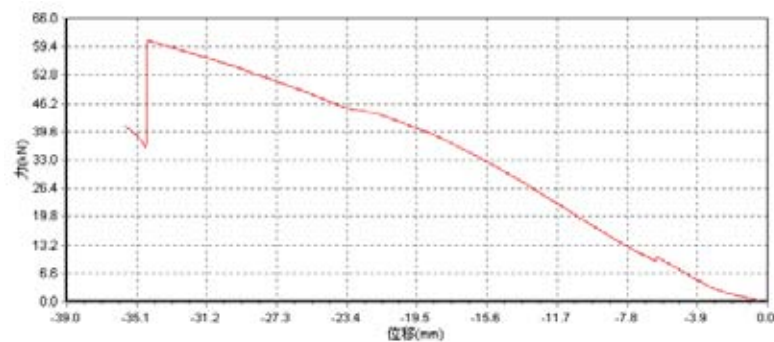


测试方向Test Direction  
C+

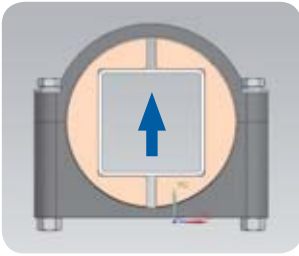
### 测试方向Test Direction A+ / C+



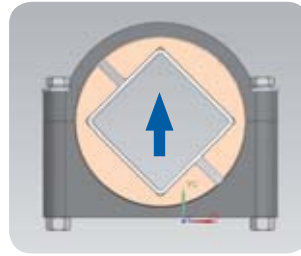
### 测试方向Test Direction B+



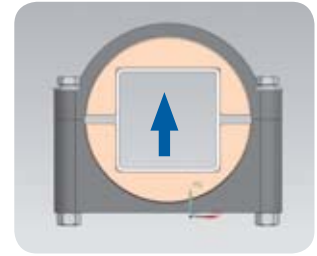
■ 抗拉试验-加载角度为9度 Tensile test with an angle of 9 degree



测试方向Test Direction  
A-

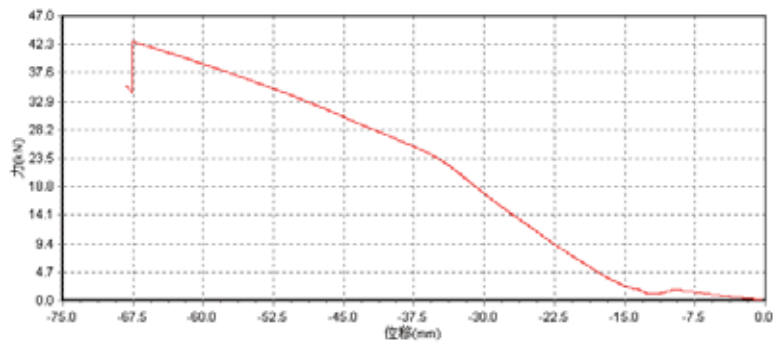


测试方向Test Direction  
B-

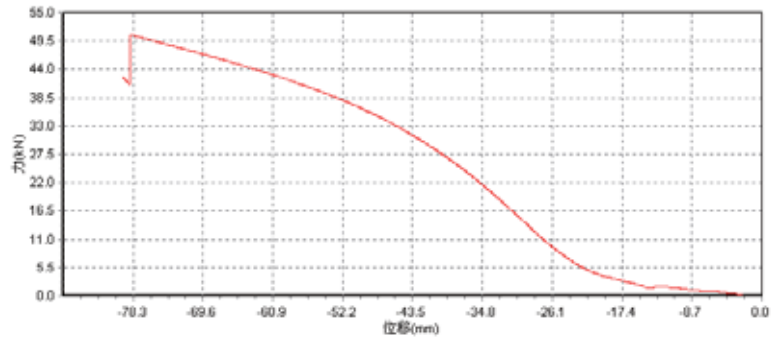


测试方向Test Direction  
C-

测试方向Test Direction A-



测试方向Test Direction B-



测试方向Test Direction C-

